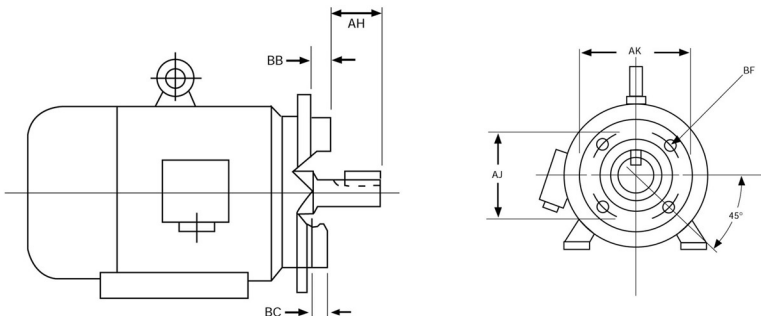


# C-FLANGE DIMENSIONS



FRAME	BB	AH	BC	AJ	BF	AK
143TC	.16	2.12	.12	5.875	3/8 16	4.5
145TC	.16	2.12	.12	5.875	3/8 16	4.5
182TC	.25	2.62	.12	7.25	1/2 16	8.5
184TC	.25	2.62	.12	7.25	1/2 16	8.5
213TC	.25	3.12	.25	7.25	1/2 13	8.5
215TC	.25	3.12	.25	7.25	1/2 13	8.5
254TC	.25	3.75	.25	7.25	1/2 13	8.5
256TC	.25	3.75	.25	7.25	1/2 13	8.5
284TC	.25	4.38	.25	9	1/2 13	10.5
286TC	.25	4.38	.25	9	1/2 13	10.5
324TC	.25	5	.25	11	5/8 11	12.5
326TC	.25	5	.25	11	5/8 11	12.5
364TC	.25	5.62	.25	11	5/8 11	12.5
356TC	.25	5.62	.25	11	5/8 11	12.5
404TC	.25	7	.25	11	5/8 11	12.5
405TC	.25	7	.25	11	5/8 11	12.5
444TC	.25	8.25	.25	14	5/8 11	16
445TC	.25	8.25	.25	14	5/8 11	16
447TC	.25	8.25	.25	14	5/8 11	16
449TC	.25	8.25	.25	14	5/8 11	16

Dimensions in Inches

## Warranty:

The ADL Products Inc. warranty is limited to the exchange of motors found to be defective upon installation, or which fail because of identifiable manufacturing defects within one year of installation. No other end user protection or corporate liability either offered or implied. Consult licensed distributor for local terms and conditions.